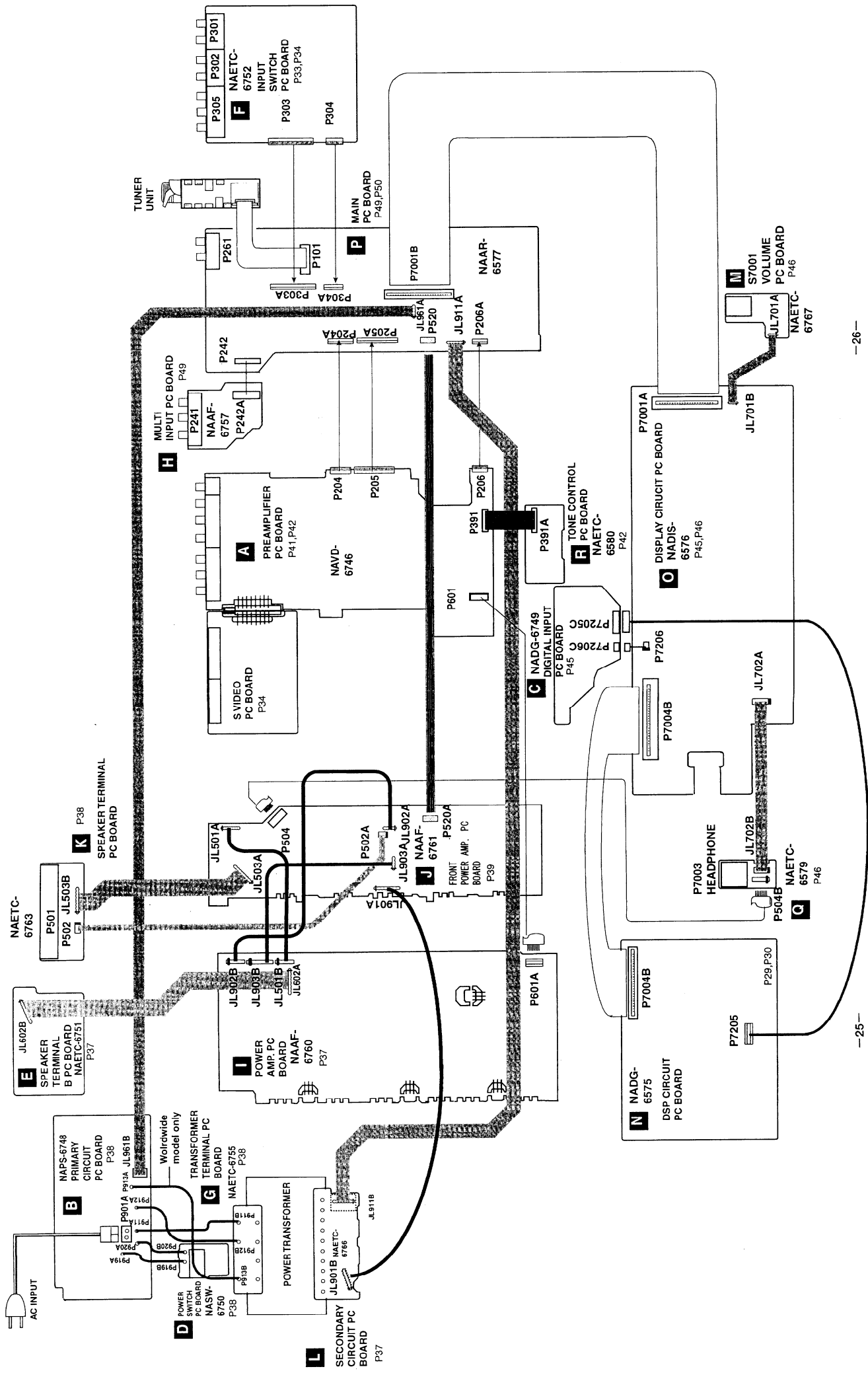


WIRING VIEW

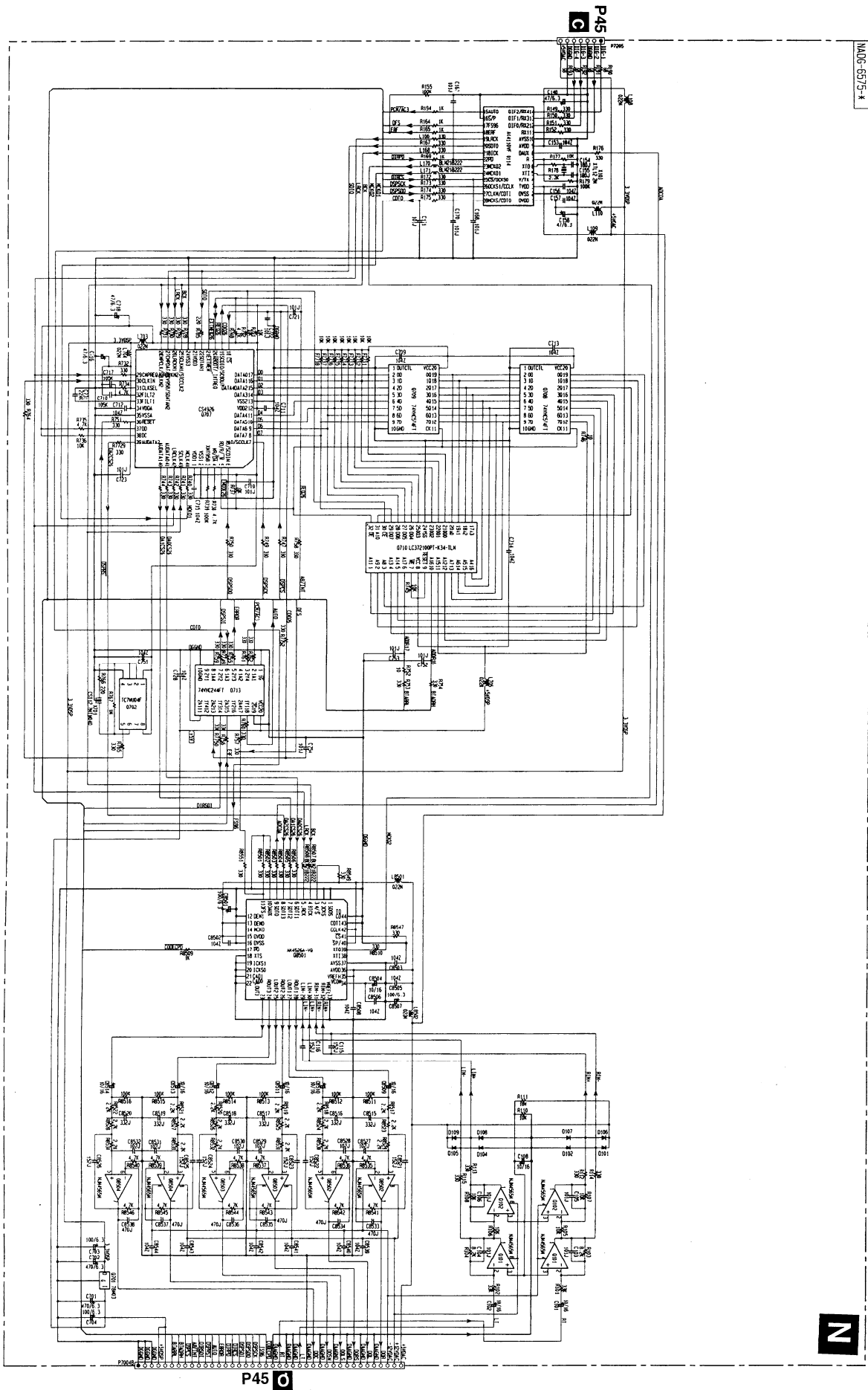


SCHEMATIC DIAGRAM 1

A B C D E F G

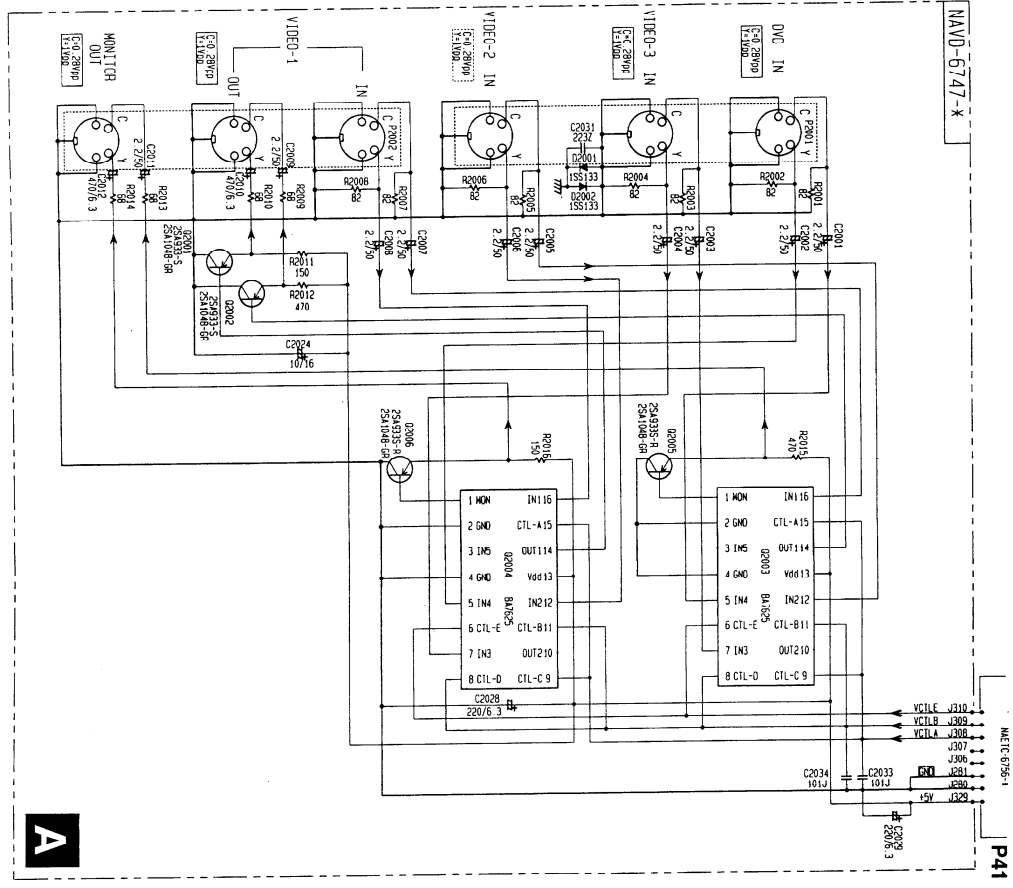
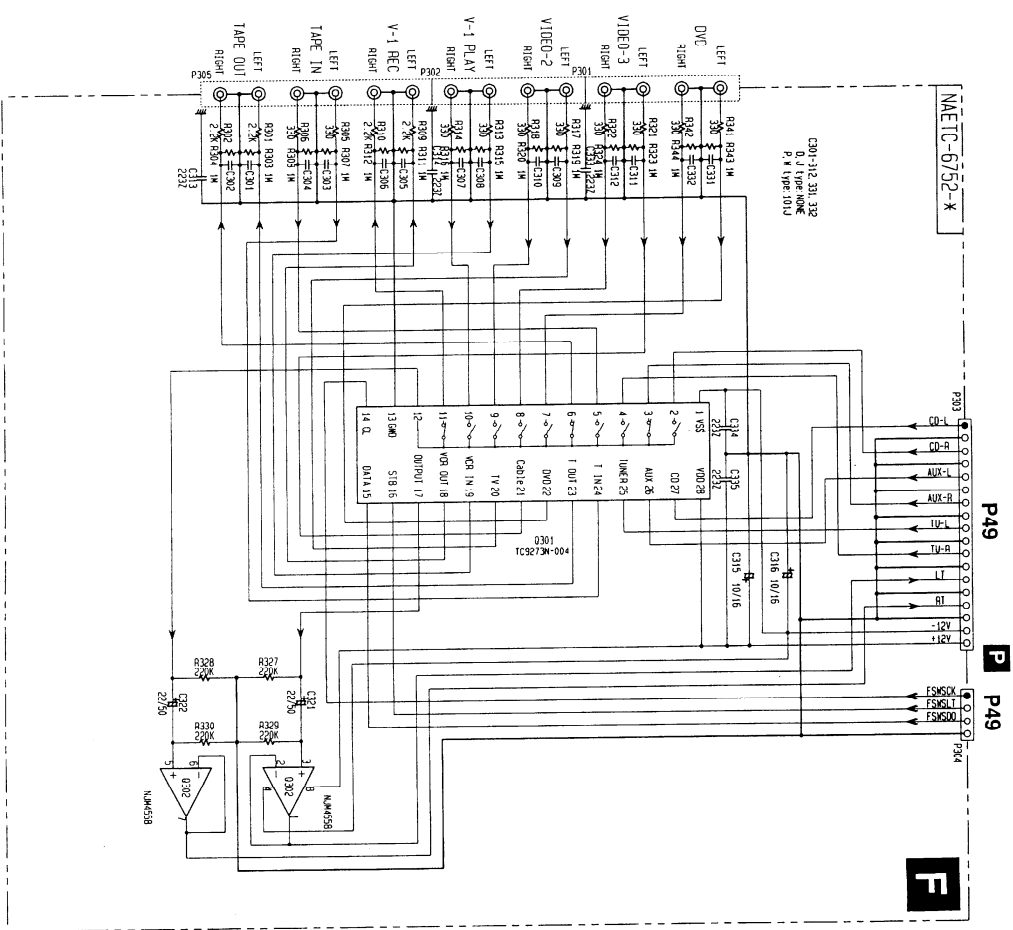
TX-DSS75X TX-DSS75X

MA6G-6575-X

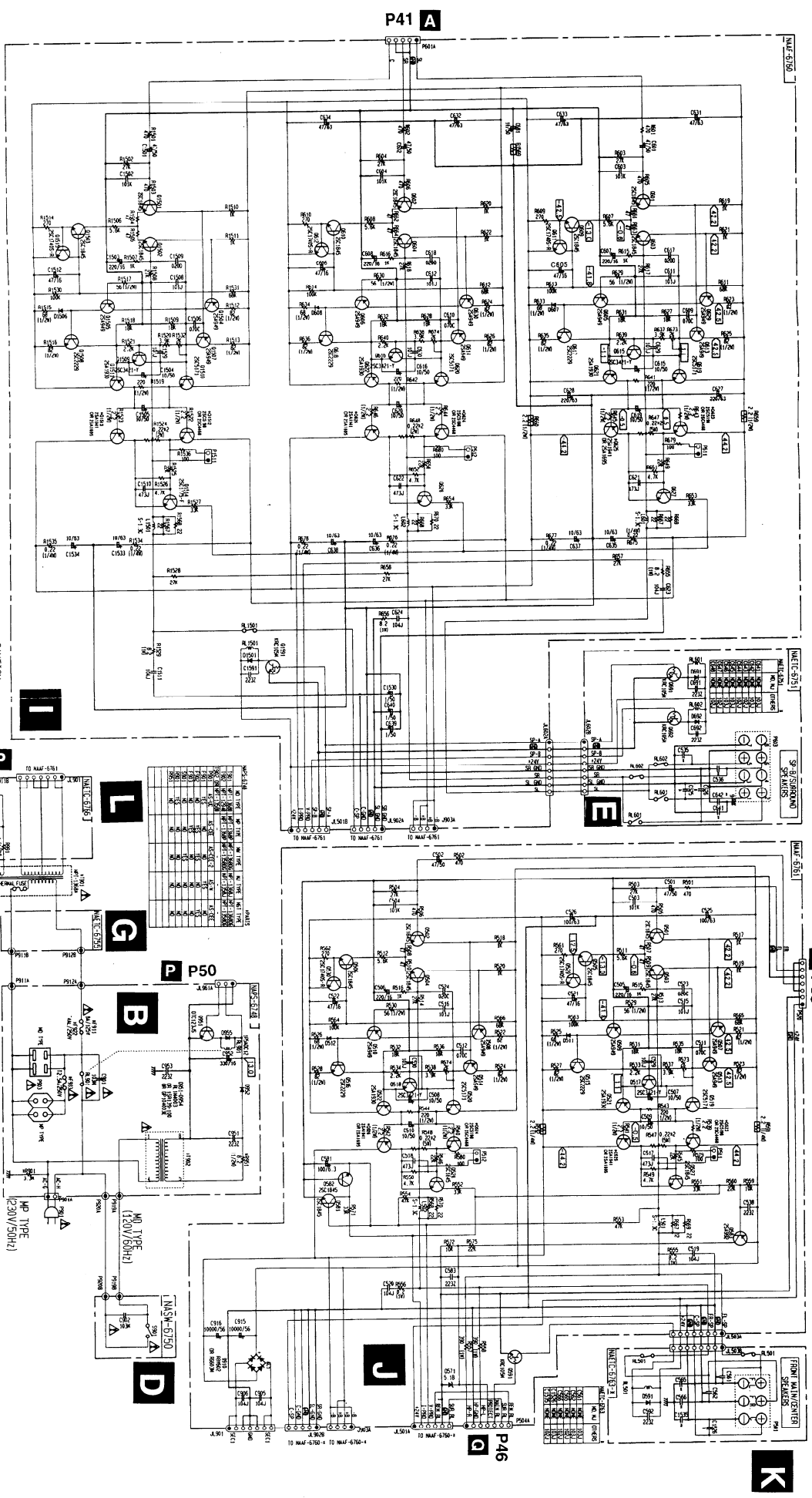


A B C D E F G

SCHEMATIC DIAGRAM 2



SCHEMATIC DIAGRAM 3



CAUTION
 ADJUSTING POINTS ARE
 LOCATED THROUGHOUT THE
 SCHEMATIC.

ATTENTION
 THE SCHEMATIC CONTAINS
 INFORMATION FOR THE
 IDENTIFICATION OF THE
 LOCATION OF THE
 IDENTIFICATION POINTS.

WARNING
 THE SCHEMATIC CONTAINS
 INFORMATION FOR THE
 IDENTIFICATION OF THE
 LOCATION OF THE
 IDENTIFICATION POINTS.

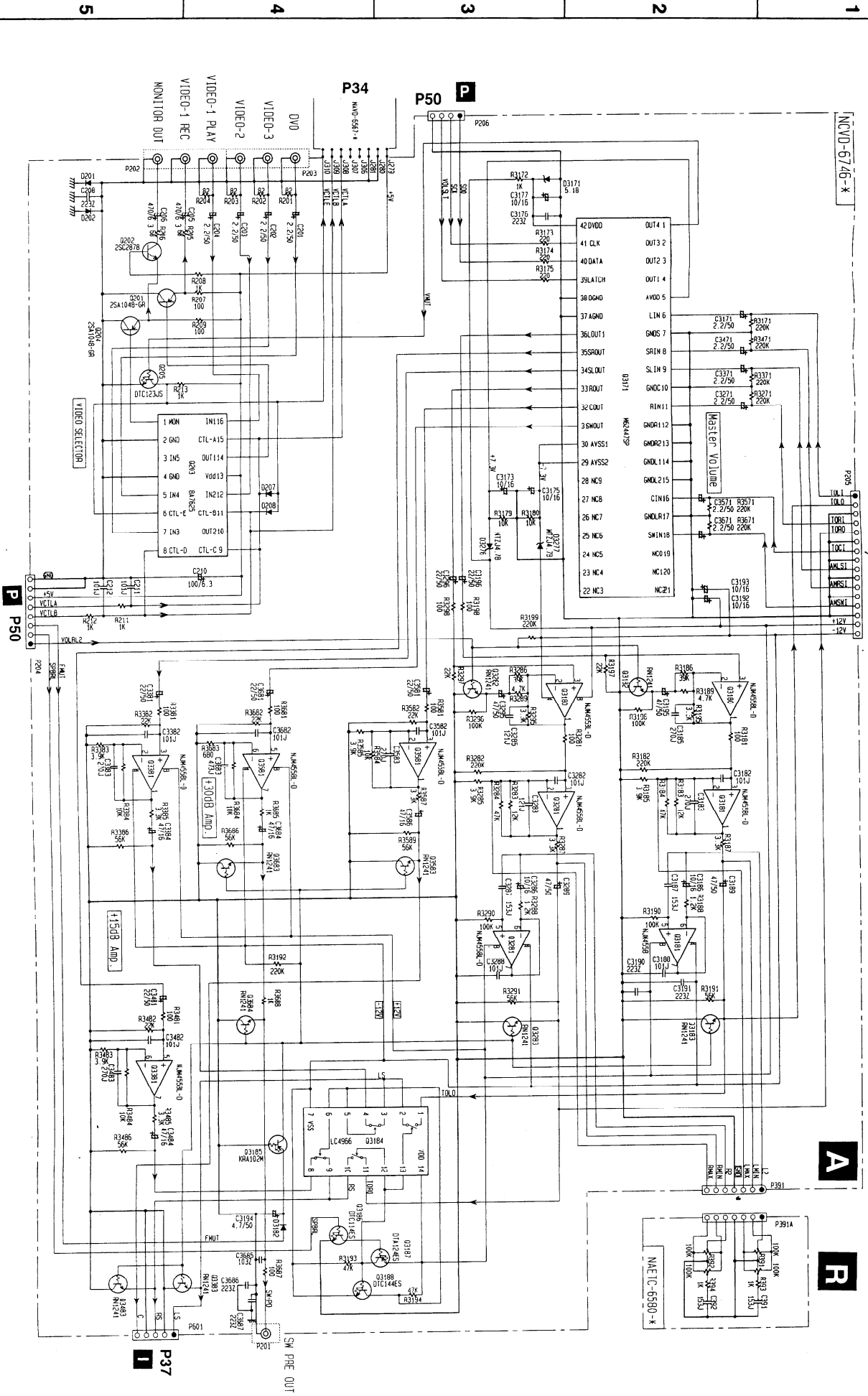
MP TYPE
 (230V/50Hz,
 120V/60Hz,
 SWITCHABLE)

MP TYPE
 (230V/50Hz)

MP TYPE
 (120V/60Hz)

MP TYPE
 (120V/60Hz)

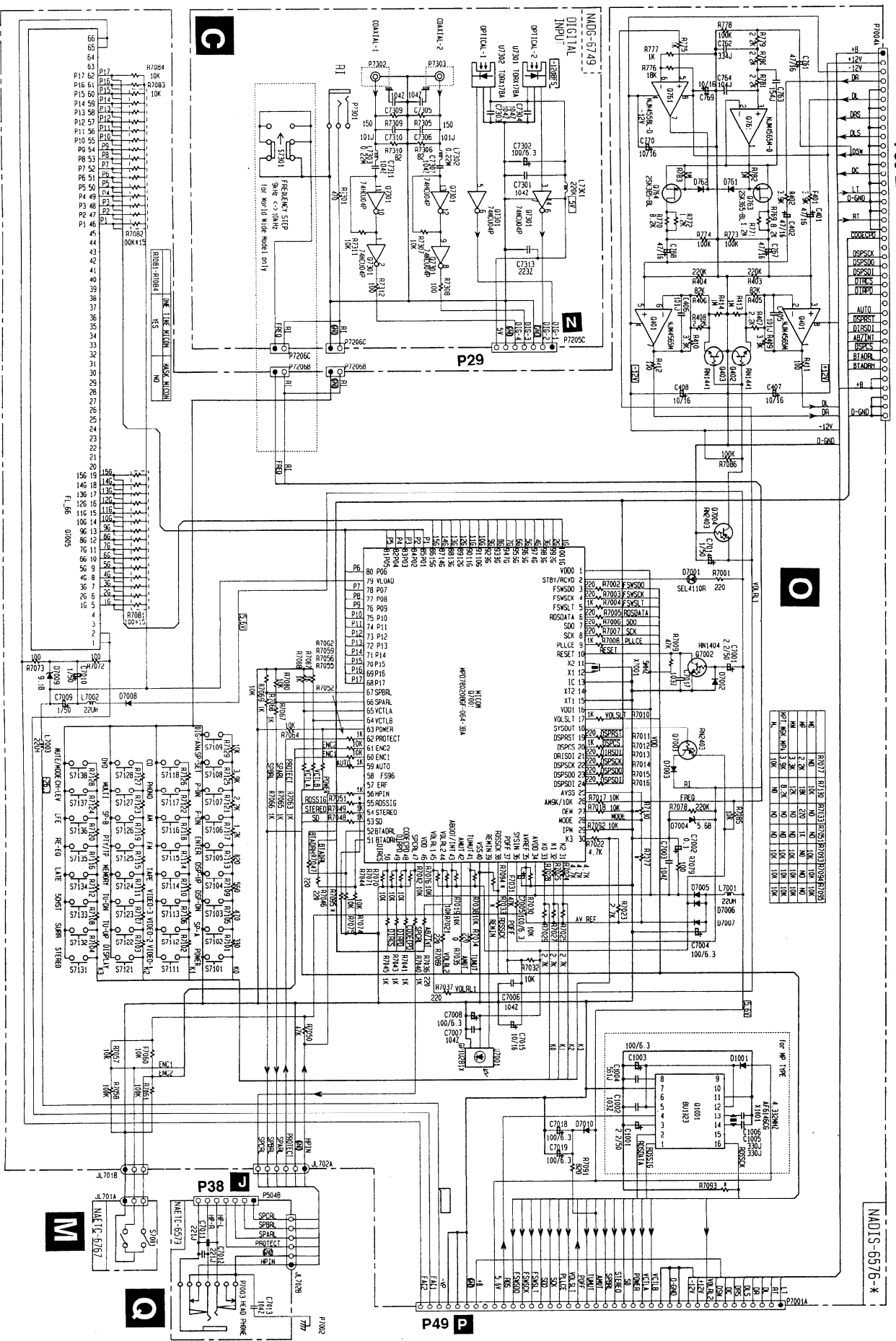
SCHEMATIC DIAGRAM 4



SCHEMATIC DIAGRAM 5

P30 N

NAD15-6576-X



SCHEMATIC DIAGRAM 6

